

Namur - Magnetventil solenoid valve, limit switches

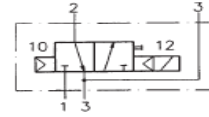
Features :

- Distributor with solenoid valve of anodized Aluminium body, Namur flange with 3/2 or 5/2 way;
- Switches with indicator with inductive or mechanical switch, voltage AC or DC;

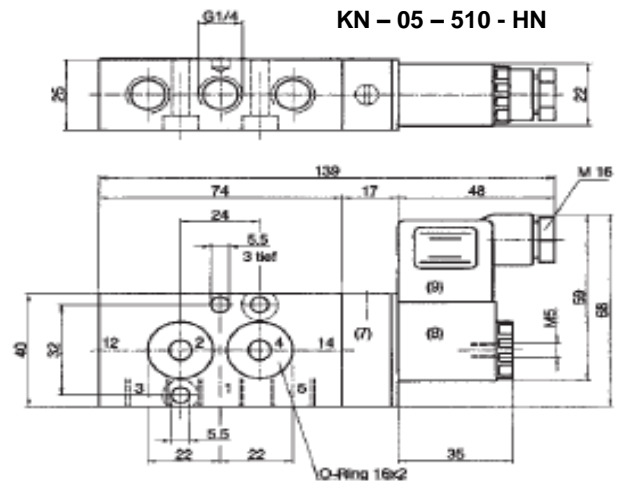
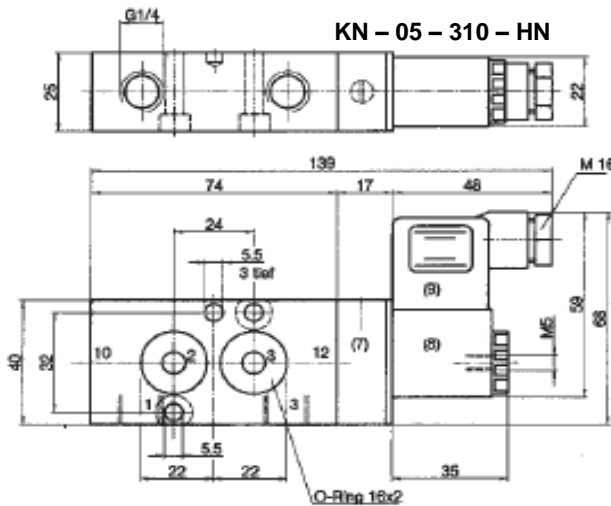
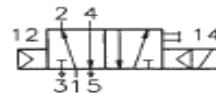
Technical specification for solenoid valve distributor :

Body distributor	Anodized Aluminium
Namur flange	3/2 or 5/2 way
Solenoid valve	24V DC or 230V AC
Operating pressure	3 ÷ 10 bar
Port connection	G1/4, Namur
Electrical connection	Connector DIN 43650 B
Operating temperature	-10 ÷ 70°C
KN-05-310-HN → 3/2 way	KN-05-510-HN → 5/2 way

KN – 05 – 510 – HN

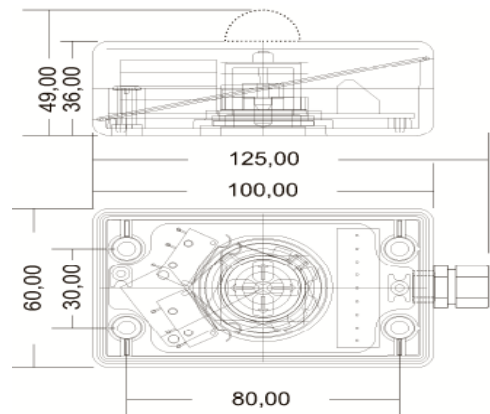


KN – 05 – 510 – HN

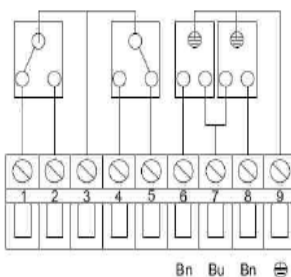


Technical specification switches :

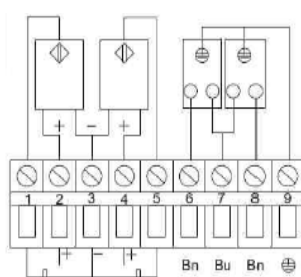
Housing	Polycarbonate
Switch	Mechanical → PMB 10
	Inductive → PMB 20, PMB 30
Switching voltage	24 ÷ 250V AC → PMB 10
	10 ÷ 30V DC → PMB 20
	8V DC → PMB 30
Switching frequency	0 ÷ 1000Hz → PM 20
	0 ÷ 2000Hz → PM 30
Operating temperature	-20 ÷ 80°C
ATEX	PMB 30
Operating current	Max. 2.5A → PMB10
	0-100mA → PM 20



PMB10



PMB20



PMB30

