

### Three phase solid state relay - TSR

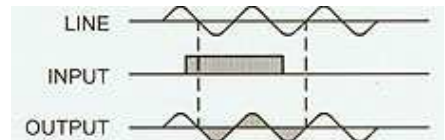
#### Features :

- Isolation over than 50MΩ / 500VDC, high dielectric over than 2.5KV;
- Low EMI / EFI & Surge by zero cross trigger method.;
- High surge current duration over 10 times of rated current / one cycle, high surge voltage duration by snubber circuit;



#### Control method :

- Zero Cross Trigger Method - output turn ON or turn OFF only on zero cross point of sine wave, may avoid surge or EMI /RFI occurring. Specially suited to control resistive, capacitive and non saturated inductive loads.



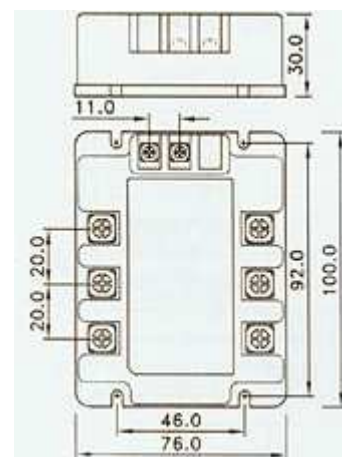
#### Technical specification :

Type	TSR-25DA/ 25DA-H	TSR-40DA/ 40DA-H	TSR-75DA/ 75DA-H	TSR-25AA/ 25AA-H	TSR-40AA/ 45AA-H	TSR-75AA/ 75AA-H
Current [A]	25	40	75	25	40	75
Input voltage	4÷32 Vdc			80~250VAC 50/60Hz		
ON / OFF voltage	ON > 3.6V , OFF < 2.4V			ON > 45V , OFF < 35V		
Trigger current	7.5mA / 12V			5.0mA / 100V max.		
Control method	Zero cross trigger method					
Load voltage	24 ~380VAC și 90 ~480VCA only types with H					
Min. blocking voltage	600 VAC <Repetitive >					
Peak voltage	Over 1200V					
Response time	ON < 20ms / OFF < 20ms					
Max. one cycle surge	275A	410A	820A	275A	410A	820A
Leakage current	12.5mA/380V and 15.5mA/440V for types with H					
Dielectric strength	Over 2.5KVAC / 1min.					
Izolation strength	Over 50M Ω/ 500VDC					
Operating temperature	-20°C ~ + 80°C					
Case	Intensive ABS					
Weight	390g					

#### Order code :

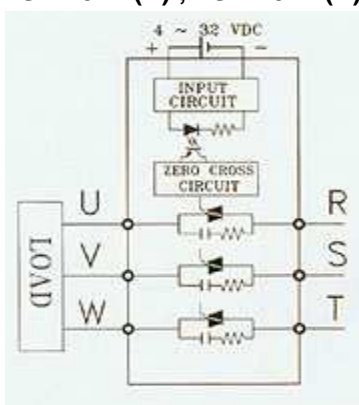
**SSR-40DA-H**  
1 2 3 4 5

#### Dimension (mm) :



Type	TSR	48 x 48 mm
Current	25	25 A
	40	40 A
	75	75 A
Control method	D	3 ÷ 32 Vdc ( ON / OFF )
	A	80 ÷ 250 Vac ( ON / OFF )
Load voltage	A	V ac
Range load voltage		Standard 24 ÷ 380 V ac
	H	90 ÷ 480 V ac

#### TSR-25DA(H) ; TSR-40DA(H)



#### TSR-75DA(H)

