

Solid state relay (SSR) TRS 1225/1245/5225



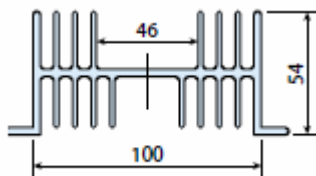
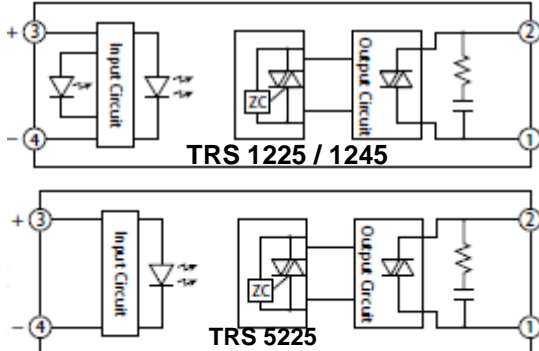
Rating :

| Item | | TRS 1225 | TRS 1245 | TRS 5225 |
|---------|---------------------------------------|--------------------------------------|-----------|-----------|
| Output | Load voltage | 100 ÷ 240Vac | | |
| | Load current | 25Aac rms | 45Aac rms | 25Aac rms |
| | Peak non repetitive Off state voltage | 600Vac | | |
| | Peak one cycle surge On current | 225Aac | 440Aac | 225Aac |
| Input | Maximum input voltage | 18Vcc | | |
| | Input impedance | 600Ω | | 680Ω |
| General | Dielectric strength | 2500Vac, 1 minute, input-output-case | | |
| | Isolation resistance | 500Vdc > 10 MΩ, input-output-case | | |
| | Operating temperature | -20 ÷ 80°C | | |
| | Storage temperature | -30 ÷ 100°C | | |

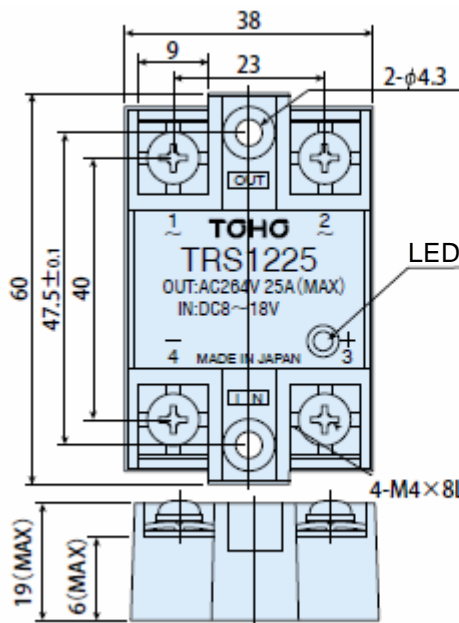
Electrical characteristics:

| Item | | TRS 1225 | TRS 1245 | TRS 5225 |
|---------|-------------------------------|--------------------------|-------------------------|-------------|
| Output | Operating power voltage range | 85 ÷ 264Vac | | 35 ÷ 264Vac |
| | OFF state leakage current | < 12mA | | < 5.0mA |
| | ON state voltage drop | < 1.5Vac | | |
| | Minimum operating current | 100mA | | |
| Input | Input voltage range | 8 ÷ 18Vdc | | |
| | Pick-UP voltage | 8Vdc (max.) | | |
| | Drop-Out voltage | 1Vdc (min.) | | |
| General | Response speed | ½ cycle + less than 1ms | | |
| | Capacitance | < 150pF (input / output) | < 80pF (input / output) | |
| | Zero cross function | Available | | |

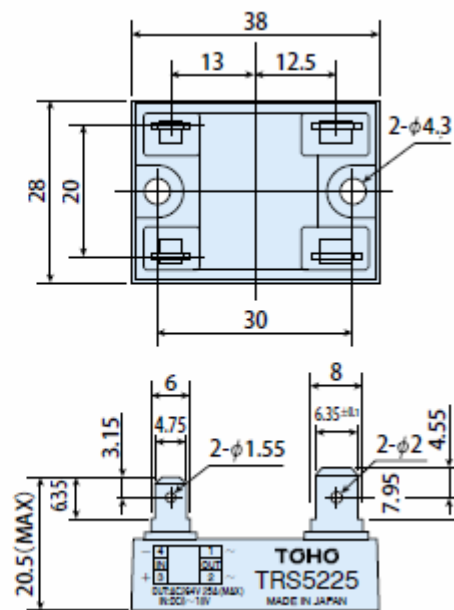
Circuit diagram and dimension (mm):



Radiator



TRS 1225 / 1245



TRS 5225