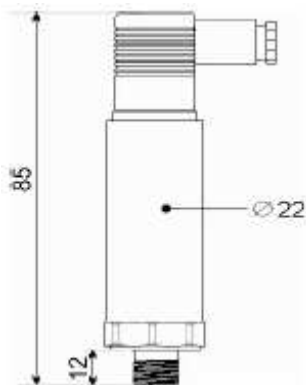


Relative pressure transducers

Technical specifications :

Range	-1 ÷ +1 bar and 0 ÷ +2000 bar
Overload pressure	Double
Pressure limit (explosion)	Triple
Output	4 ÷ 20mA and 0 ÷ 10V
Power supply	12 ÷ 30Vdc
Process connection	Standard : G¼ " form E, other request
Accuracy	Standard : 0,5 %FS, option : 0,25 %FS
Case	Stainless steel: 17-4 PH , SUS 304 , SUS 630
Load resistance	$R_s = (U_b - 12V) / 20mA [\Omega]$
Electrical connector	Standard : according DIN EN 175 301-803
Protection	IP 65 according DIN 40050
Maximum total error	For T = -20 ÷ +85 °C → 1 % < ± 0,7 %
EMC	EMV and ESD ~ 25V/m (according DIN EN55022 i 61000-4-3)
Shock resistance	1m (freefall according IEC 68-2-32)
Vibration resistance	20g (according IEC 68-2-6 and IEC 68-2-36)
Isolation resistance at 50V	100 MW
Operating temperature	-40 ÷ +105 °C
Weight	50 g
Response time (10 ÷ 90 %)	< 1ms

Dimension (mm):



Electrical connection:

