

Power regulator series W5

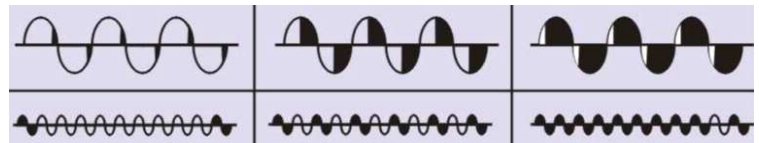
Features:

- Input: 4~20mA, 1~5VDC, 2~10VDC, 0~20mA, 0~5 VDC, 0~10VDC, dry contact points, etc. and all control signals are ready to use;
- Independent adjustment of Max and BIAS;
- The auxiliary powers (AC1, AC2) are independently controlled for all models;
- Ambient temperature: -10°C~45°C, ambient humidity : below 90%RH (no condensation);
- Multi-LED display panel makes the operating condition clear;
- Automatic power frequency detection for 50~60 Hz. No need for selection or switch;
- Automatic detection and display for power out-of-phase, SCR overheating, and fuse burn-down with one set of alarm dry contact output;



Control mode:

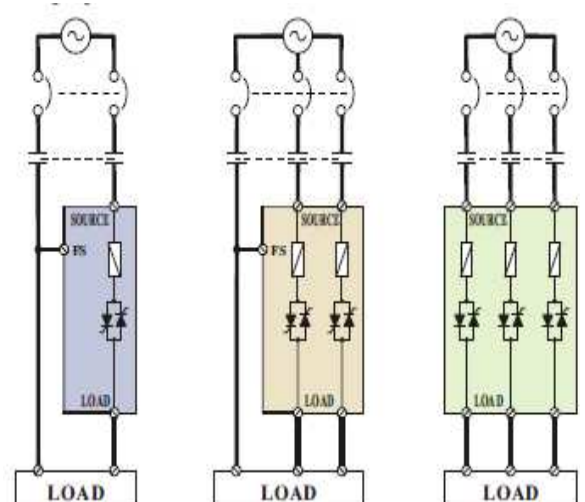
- Phase angle control;
- Zero crossing control;



Order code: Wx – T -□□□□-□-□□-□□□□-□-□-□:

Type	W5 - S	Single phase
	W5 - T	Three phase
Control mode	P	Phase angle control
	Z	Zero crossing control
Main power voltage	1V	Single phase 110 Vac
	4V	single, Three phase 200 ÷ 480 Vac
Normal rated current	030	30 A
	045	45 A
	060	60 A
	080	80 A
	100	100 A
	125	125 A
	150	150 A
	180	180 A
	230	230 A
	300	300 A
	380	380 A
	450	450 A
	580	580 A
720	720 A	
Auxiliary power source	1	Single phase 110 Vac
	2	Single phase 220 Vac
Input signal	M	Manual
	0	0 ÷ 5 Vdc
	1	1 ÷ 5 Vdc
	2	2 ÷ 10 Vdc
	3	0 ÷ 10 Vdc
	4	4 ÷ 20 mA
	5	0 ÷ 20 mA
	*	Special
Buffering time	C	2 sec. (Z)
	J	1÷22 sec. (P)
Special code	TF	Inductive reactance type loading
	CL	Limited current type
	CV	Fixed voltage type

Wiring:



Our company can provide electric motors and the equipment of control /measurement with output signal for the command power regulator.