

### Pneumatic actuator

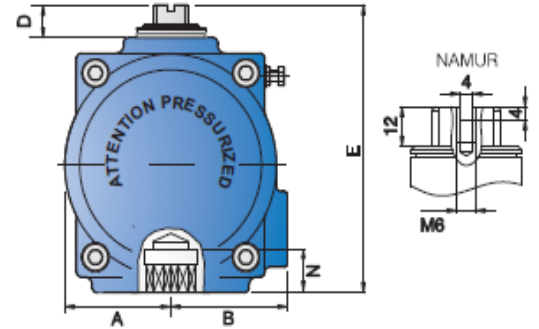
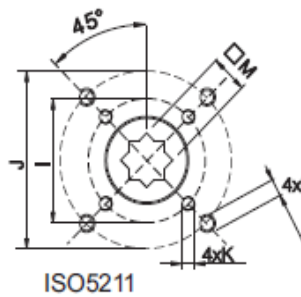
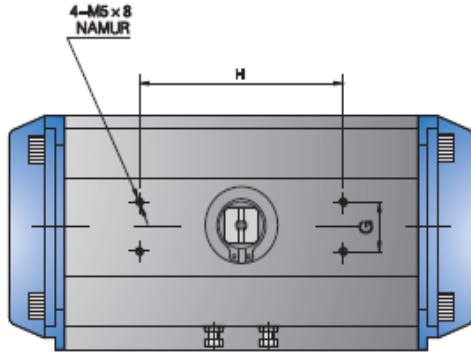
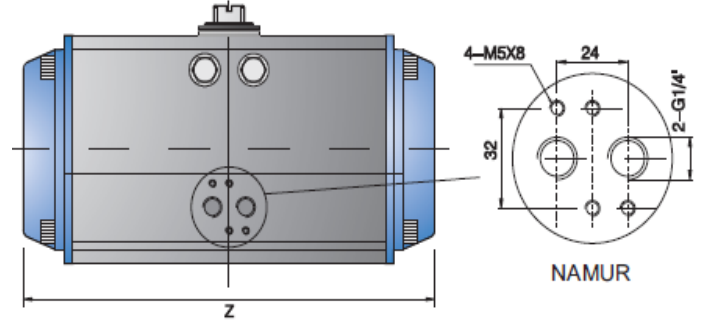
**Features :**

- Extruded aluminium alloy body, treated as hard anodized;
- Position indicator with NAMUR, small size, higher torque output values;
- Simple and double acting, clockwise and counter clockwise rotation;



**Specificații tehnice :**

Position indicator	NAMUR
Pinion	Nickelled – alloy steel
Actuator body	Extruded Aluminium alloy
Pistons	Die – casting Aluminium
Travel Adjustament	±5°C, with bolts for 0 ÷ 90°
Control pressure	Max. 8 bar
Torque force 1 action	14 ÷ 3508 Nm
Torque force 2 action	9 ÷ 2167 Nm
Operating temperature	-20 ÷ 80°C



Model	A	B	D	E	G	H	I	J	K	L	M	N	Z	Air Supply
PA 40	40	36	20	81	30	80	Ø36	Ø50	M5x8	M6x10	9-11	14	121	NAMUR G1/4"
PA 52	30	41,5	20	92	30	80	Ø36	Ø50	M5x8	M6x10	9-11	14	147	NAMUR G1/4"
PA 63	36	47	20	107,5	30	80	Ø50	Ø70	M6x10	M8x13	9-11-14	18	168	NAMUR G1/4"
PA 75	42	53	20	119,5	30	80	Ø50	Ø70	M6x10	M8x13	11-14	18	184	NAMUR G1/4"
PA 83	46	57	20	128,7	30	80	Ø50	Ø70	M6x10	M8x13	14-17	21	204	NAMUR G1/4"
PA 92	50	58,5	20	136,8	30	80	Ø50	Ø70	M6x10	M8x13	14-17	21	262	NAMUR G1/4"
PA 105	57,5	64	20	153	30	80	Ø70	Ø102	M8x13	M10x16	17-22	26	268	NAMUR G1/4"
PA 125	67,5	74,5	20	175	30	80	Ø70	Ø102	M8x13	M10x16	22	26	296	NAMUR G1/4"
PA 140	75	77	20	191,5	30	80	Ø102	Ø125	M10x16	M12x20	27	31	390	NAMUR G1/4"
PA 160	87	87	20	217	30	80	Ø102	Ø125	M10x16	M12x20	27	31	454	NAMUR G1/4"
PA 190	103	103	30	260	30	130		Ø140		M16x25	36	40	525	NAMUR G1/4"
PA 210	113	113	30	285	30	130		Ø140		M16x25	36	40	532	NAMUR G1/4"
PA 240	130	130	30	318	30	130		Ø165		M20x25	46	50	610	NAMUR G1/4"
PA 270	147	147	30	356	30	130		Ø165		M20x25	46	50	722	NAMUR G1/2" NAMUR G1/4"